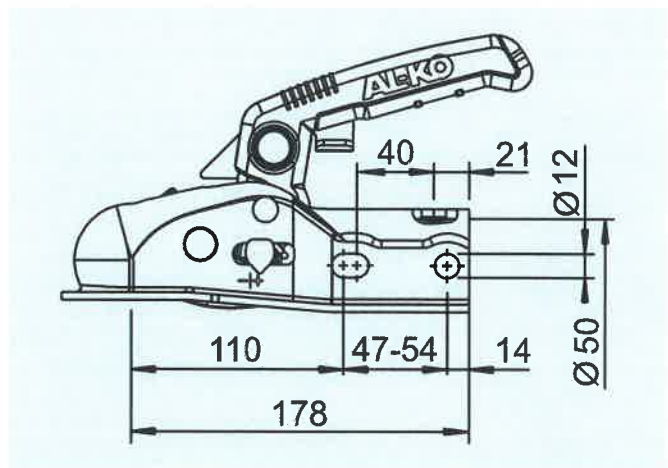
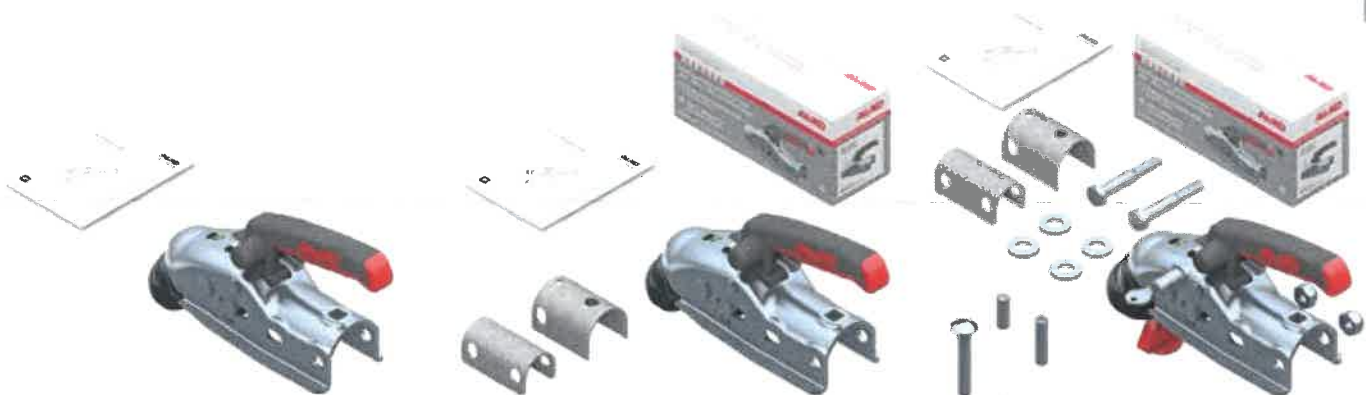


# COUPLING HEAD AK 161

for braked trailers up to 1,600 kg



6



<b>Coupling head AK 161 with Soft-Dock</b>	
SAP: KUPLNG KUGL AK161 D50 M BEDANLEIT	
Part No.	1730219
Barcode no.	4003718049756
Perm. gross weight	1,600 kg
Nose load	120 kg
D/Dc value	14.95 kN
Material	Steel
Holes	horizontal + cross
Tightening torque	75 Nm
ECE type approval no.	E1 55R-01 2671
	1.6 kg
	- 288 units

<b>Coupling head AK 161 with Soft-Dock, spacers Ø 35/45</b>	
SAP: KUPLNG KUGL AK161 D50/45/35 M BEDANLEIT	
Part No.	1730218
Barcode no.	4003718049749
Perm. gross weight	1,600 kg
Nose load	120 kg
D/Dc value	14.95 kN
Material	Steel
Holes	horizontal + cross
Tightening torque	75 Nm
ECE type approval no.	E1 55R-01 2671
	1.7 kg
	- 156 units

<b>Safety kit for coupling head AK 161 with Soft-Dock, spacers Ø 35/45, lock</b>	
SAP: KIT SAFETY AK161 D50/45/35 M ZUBEHÖR	
Part No.	1730220
Barcode no.	4003718049763
Perm. gross weight	1,600 kg
Nose load	120 kg
D/Dc value	14.95 kN
Material	Steel
Holes	horizontal + cross
Tightening torque	75 Nm
ECE type approval no.	E1 55R-01 2671
	1.9 kg
	- 156 units



<b>Soft-Dock suitable for coupling head AK 161 / AK 270</b>	
SAP: SOFT-DOCK SCHWARZ	
Part No.	693394
Barcode no.	4003718051698
	0.04 kg
	- -